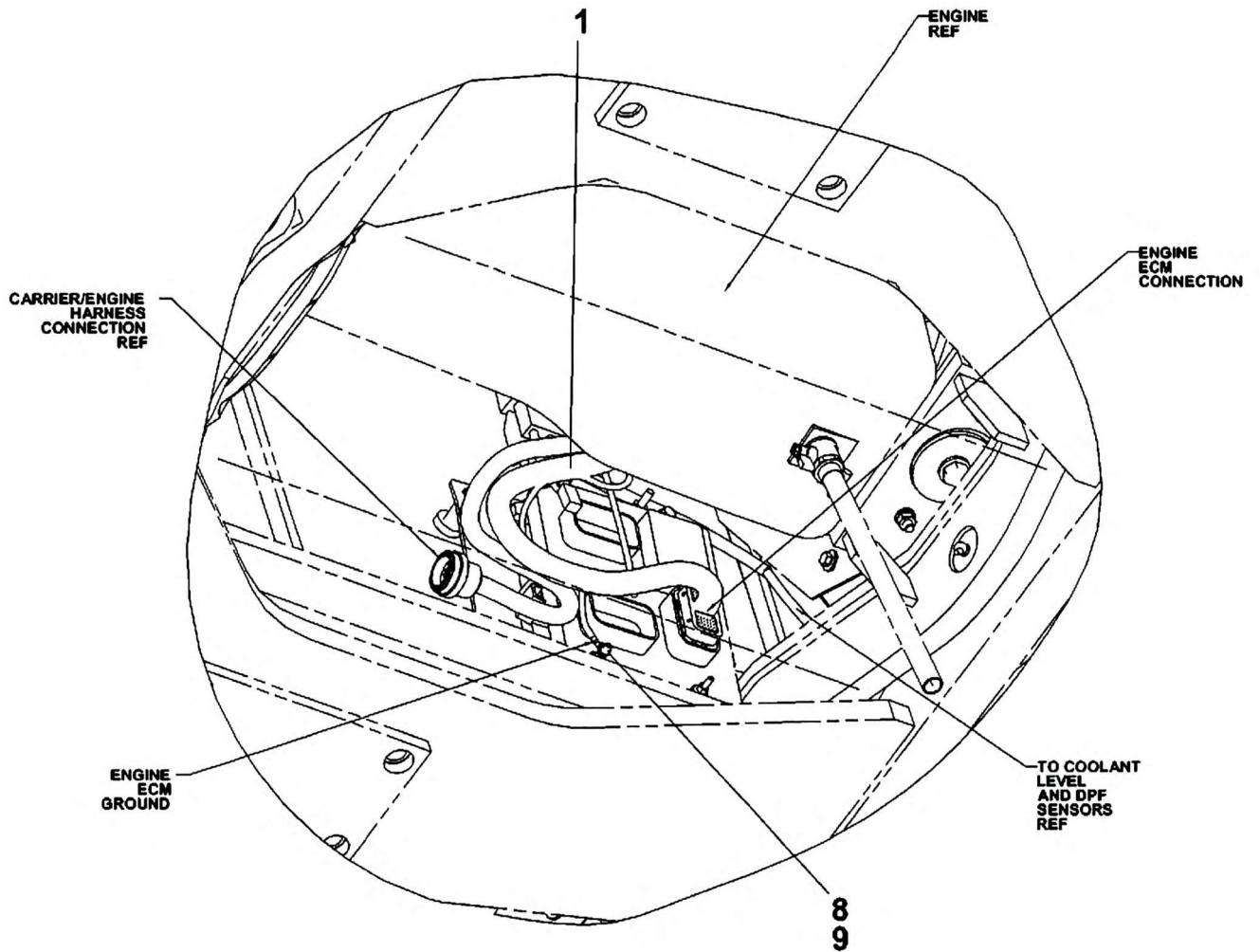
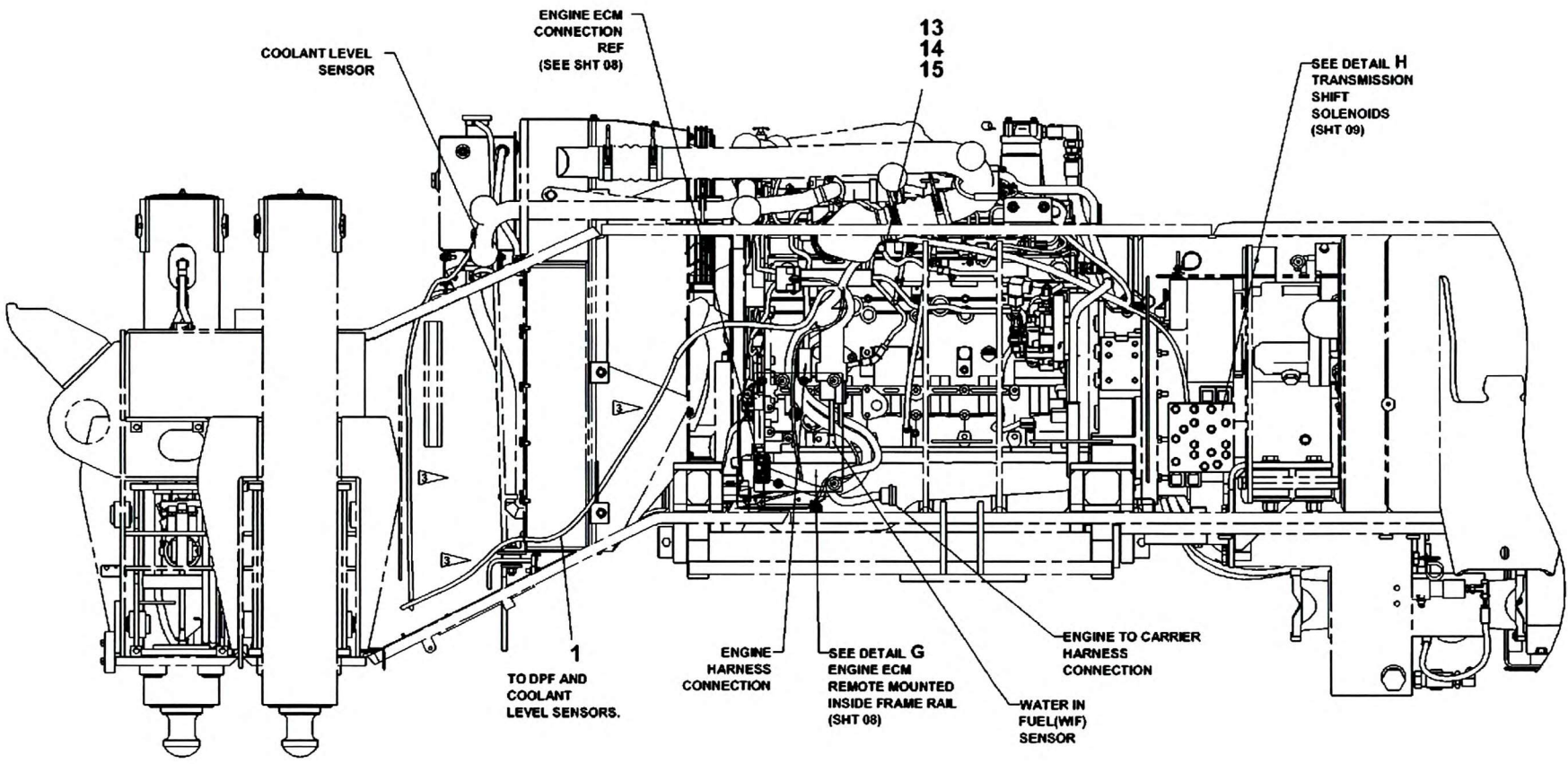


DETAIL H
TRANSMISSION SHIFT SOLENOIDS

Manitowoc Cranes

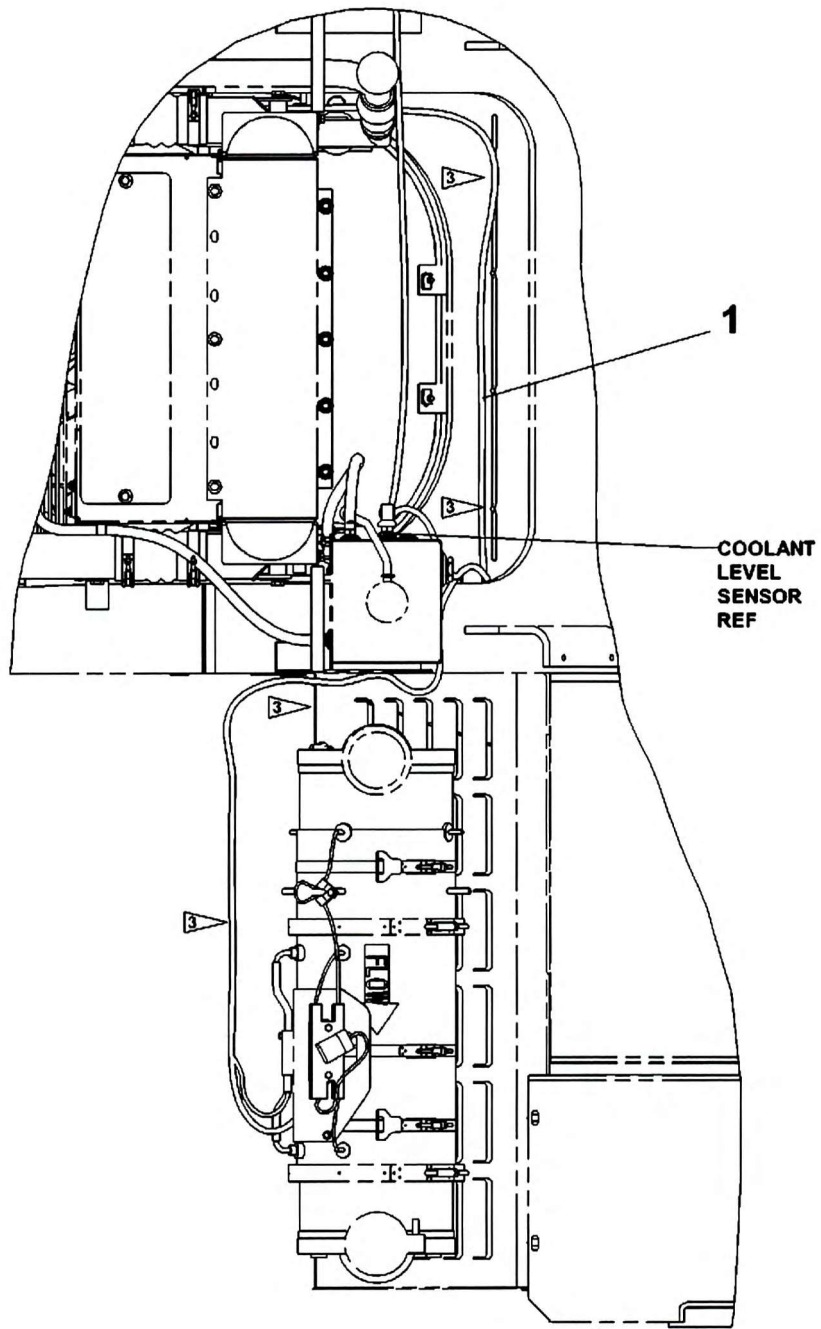


DETAIL G
ENGINE ECM, REMOTE MOUNTED
(VIEW LOOKING UP, REAR AXLE NOT SHOWN FOR CLARITY)



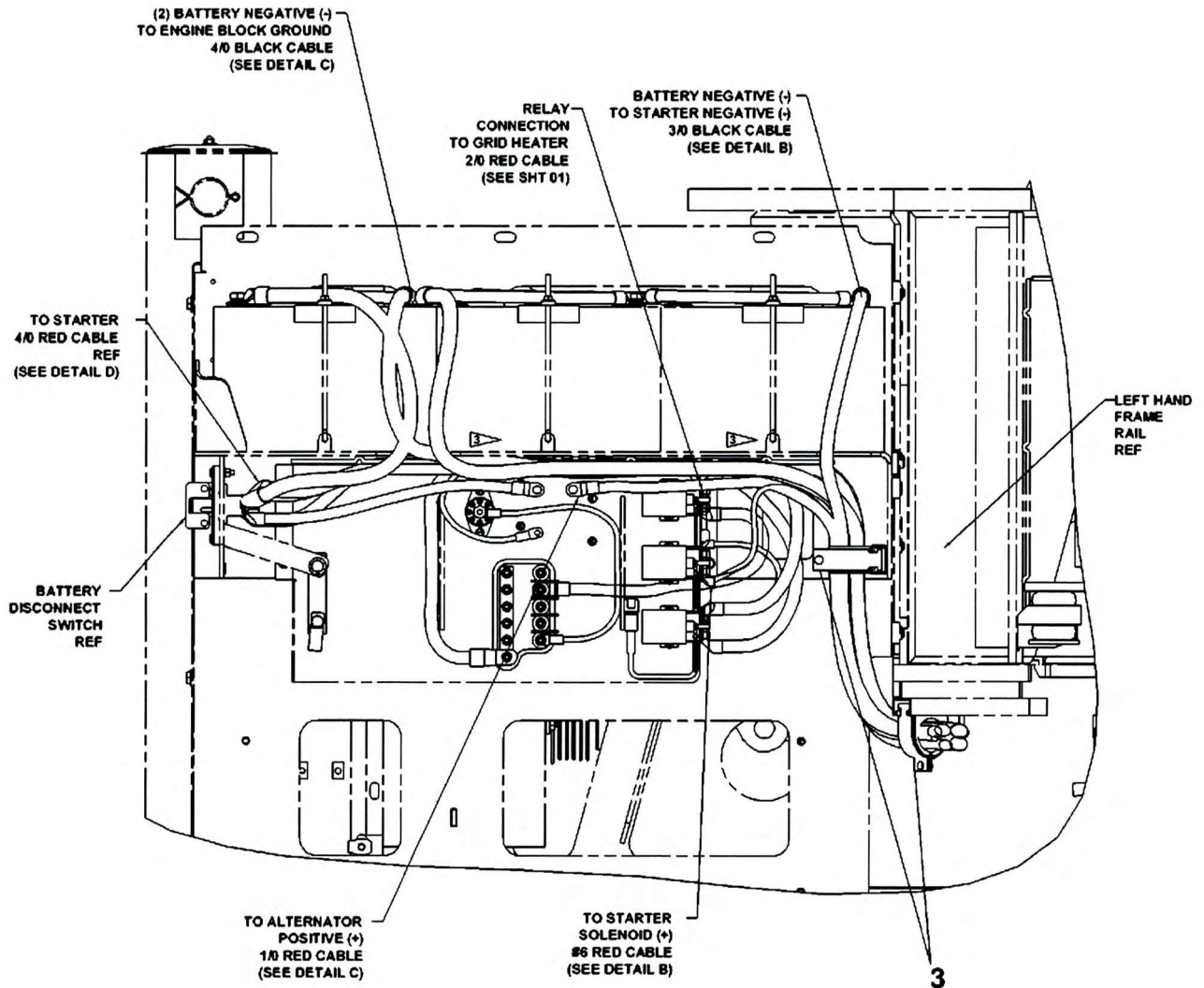
RIGHT SIDE VIEW OF ENGINE COMPARTMENT
(RIGHT FRAME RAIL NOT SHOWN FOR CLARITY)

FORWARD →



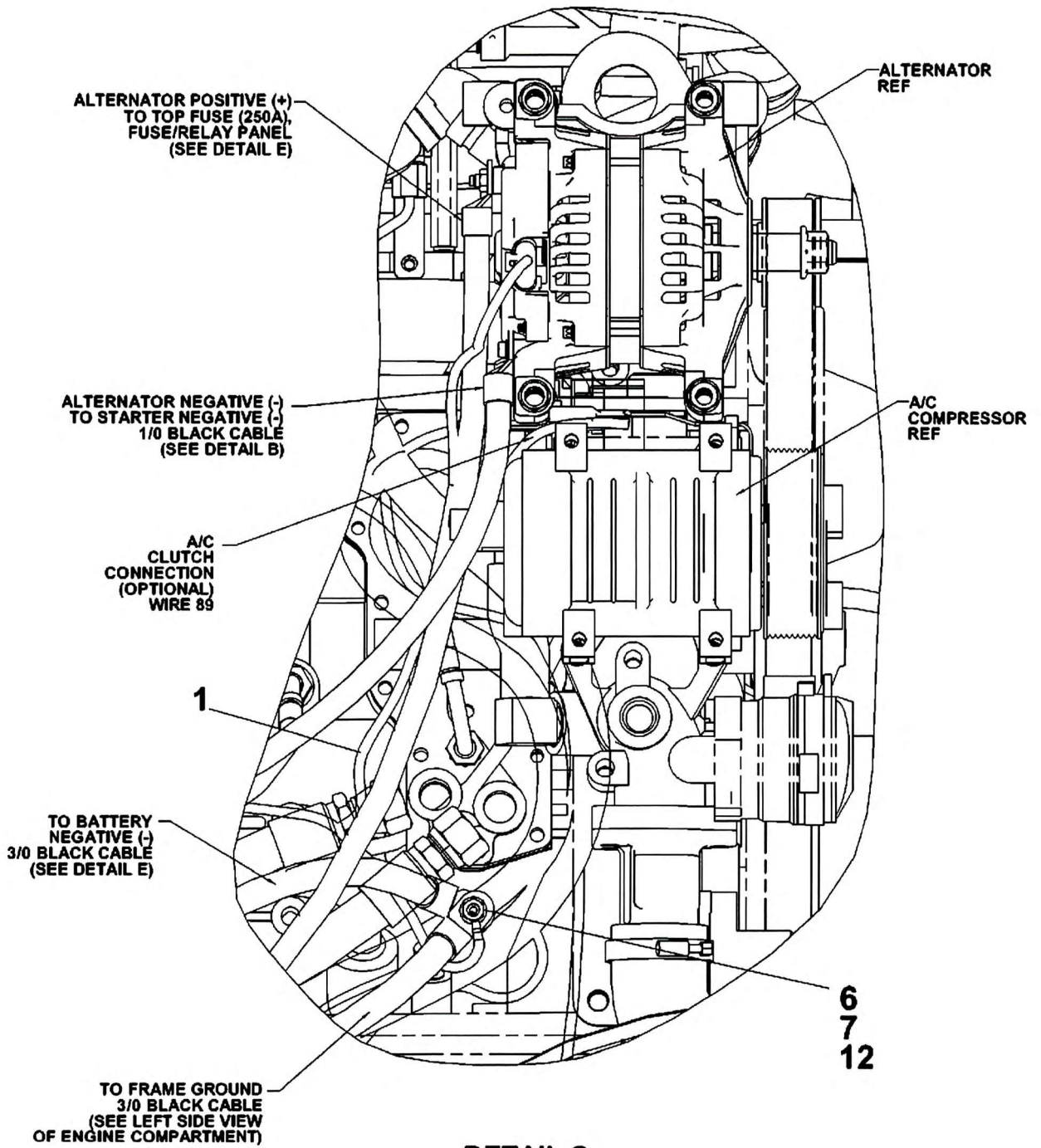
DETAIL F
DIESEL PARTICULATE
FILTER(DPF) SENSORS
(TOP VIEW)

Manitowoc Cranes



DETAIL E
FUSE/RELAY PANEL &
BATTERY CONNECTIONS
(VIEW LOOKING FORWARD)

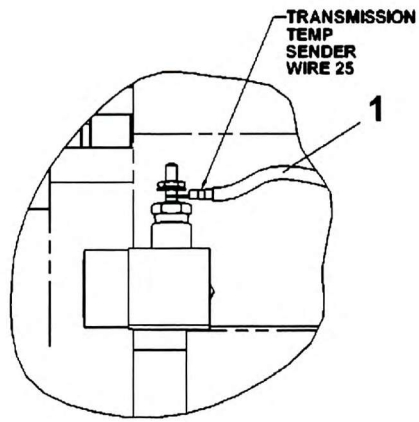
Manitowoc Cranes



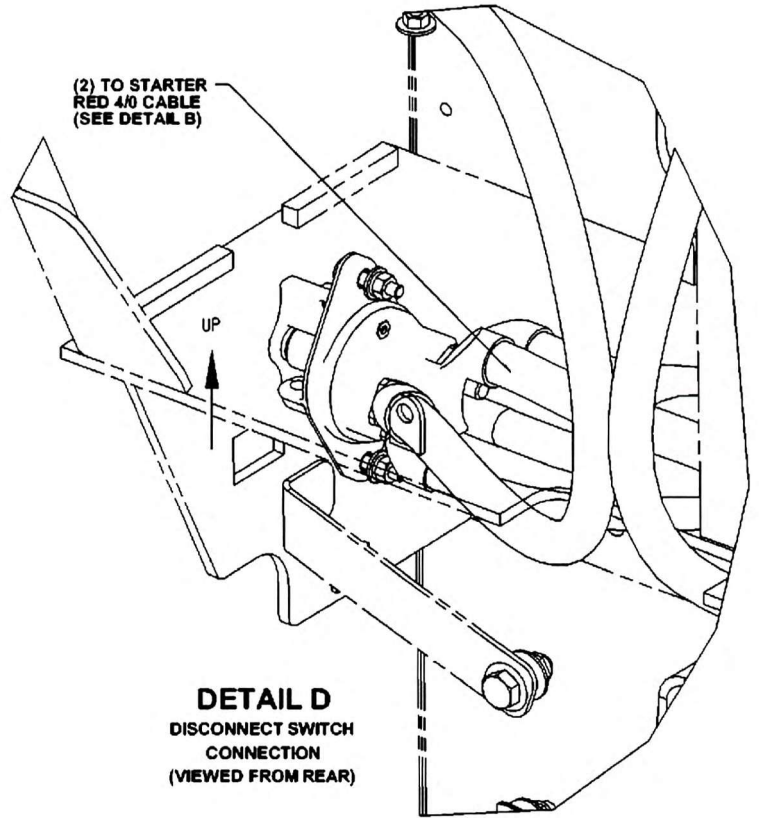
80024482

(SHEET 4 OF 9)

Manitowoc Cranes

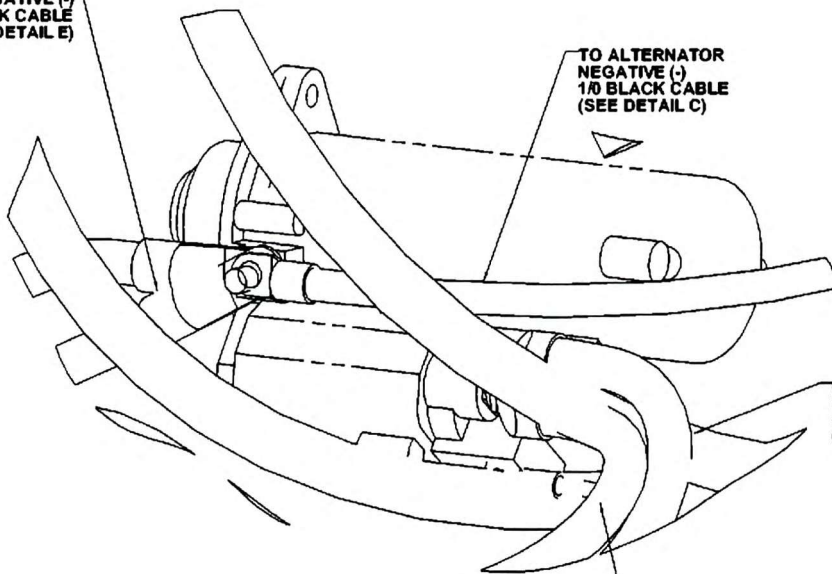


DETAIL A
TRANSMISSION TEMP SENDER



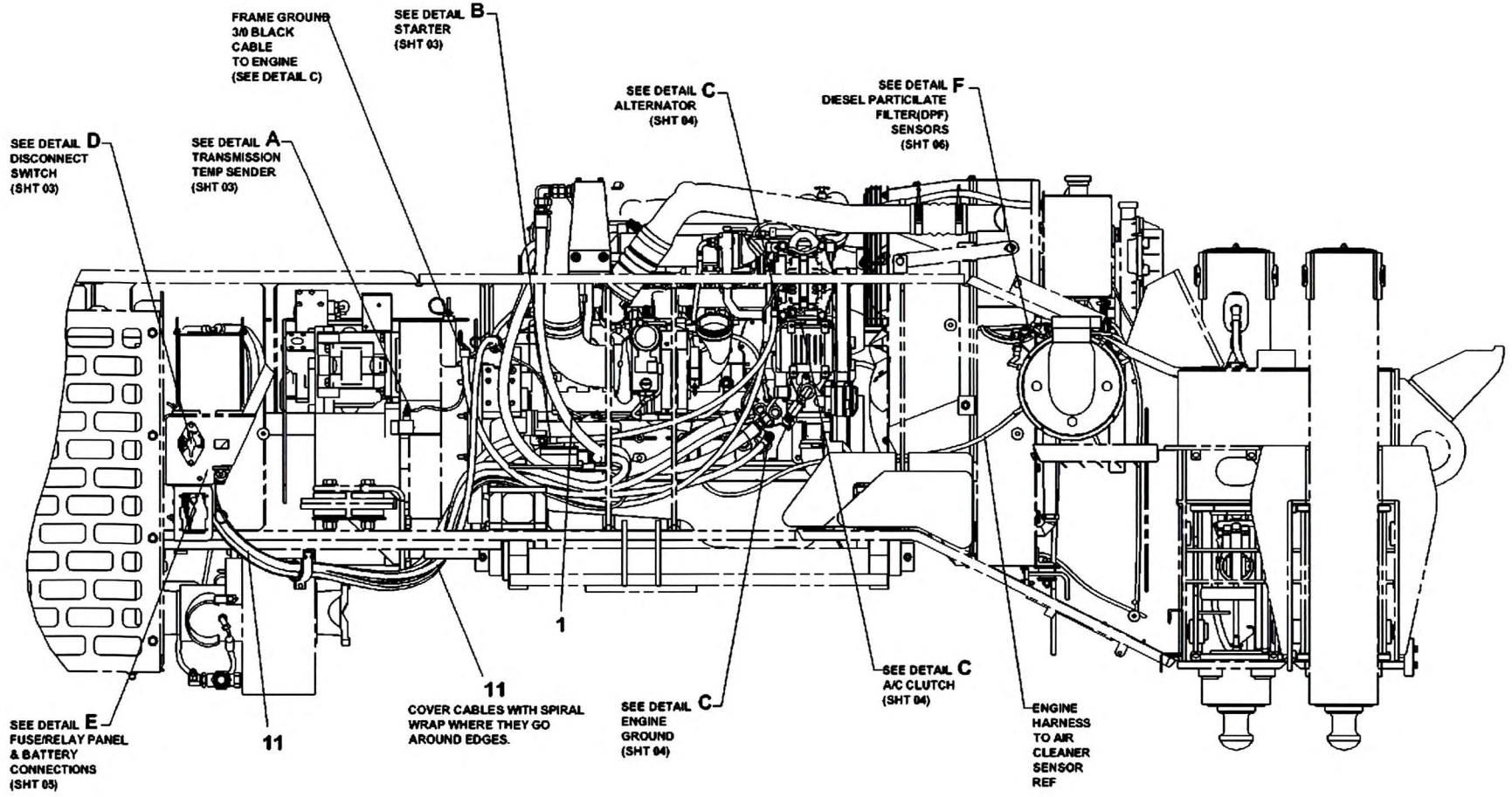
DETAIL D
DISCONNECT SWITCH
CONNECTION
(VIEWED FROM REAR)

(2) TO BATTERY
NEGATIVE (-)
4/0 BLACK CABLE
(SEE DETAIL E)



DETAIL B
STARTER CONNECTIONS

STARTER SOLENOID
POSITIVE (+)
#6 RED CABLE
TO RELAY PANEL
(SEE DETAIL E)



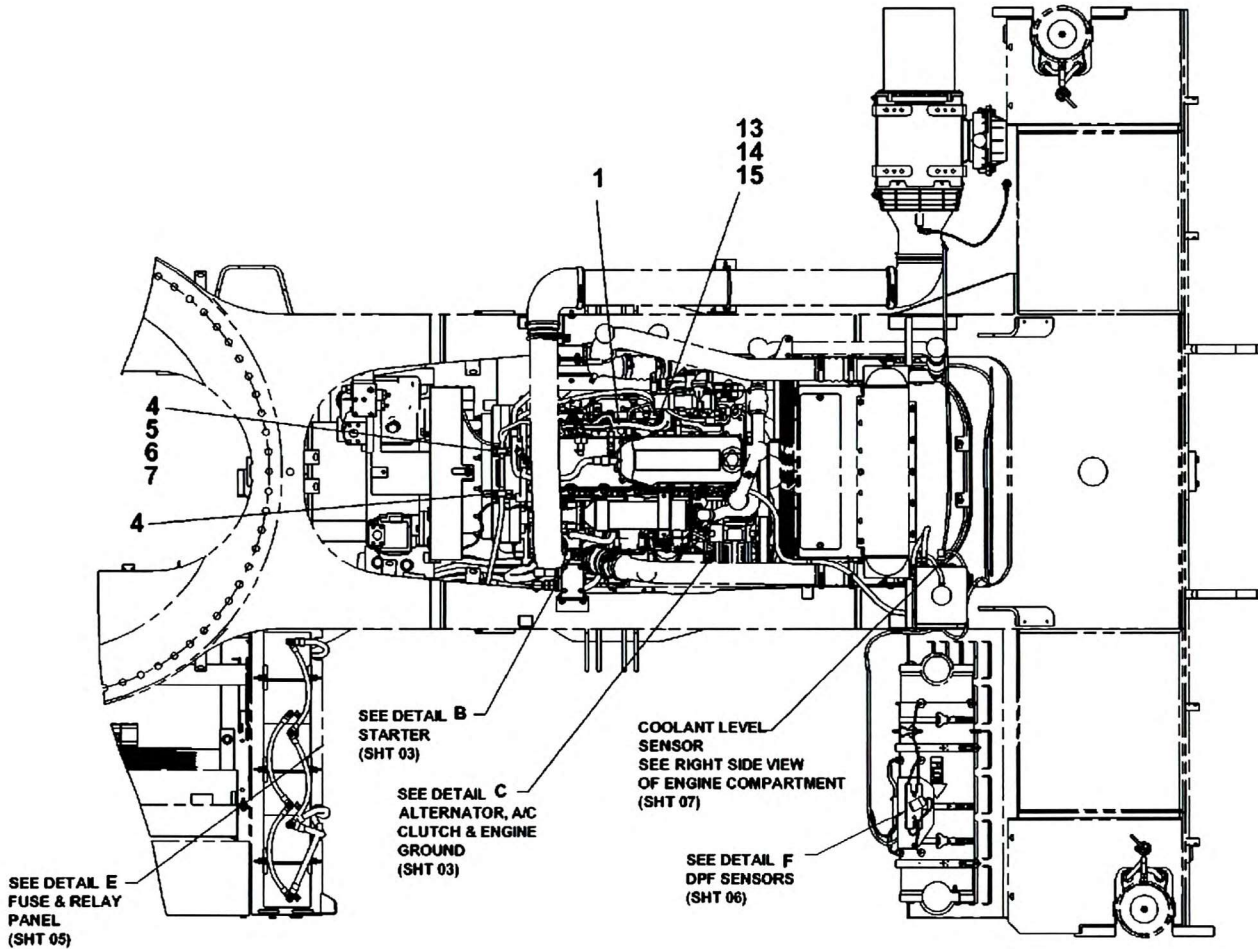
LEFT SIDE VIEW OF ENGINE COMPARTMENT
(LEFT FRAME RAIL NOT SHOWN FOR CLARITY)

← FORWARD

(SHEET 2 OF 9)

Page 667

80024482



NOTES:
▶ USE TIE BARS TO ROUTE HARNESS IN THIS AREA.
USE TIE STRAPS AS REQUIRED.

TOP VIEW OF ENGINE COMPARTMENT

